

NOTE: STRUCTURE DESIGNED TO MEET 129km/h, EXPOSURE "C" WIND LOADS.

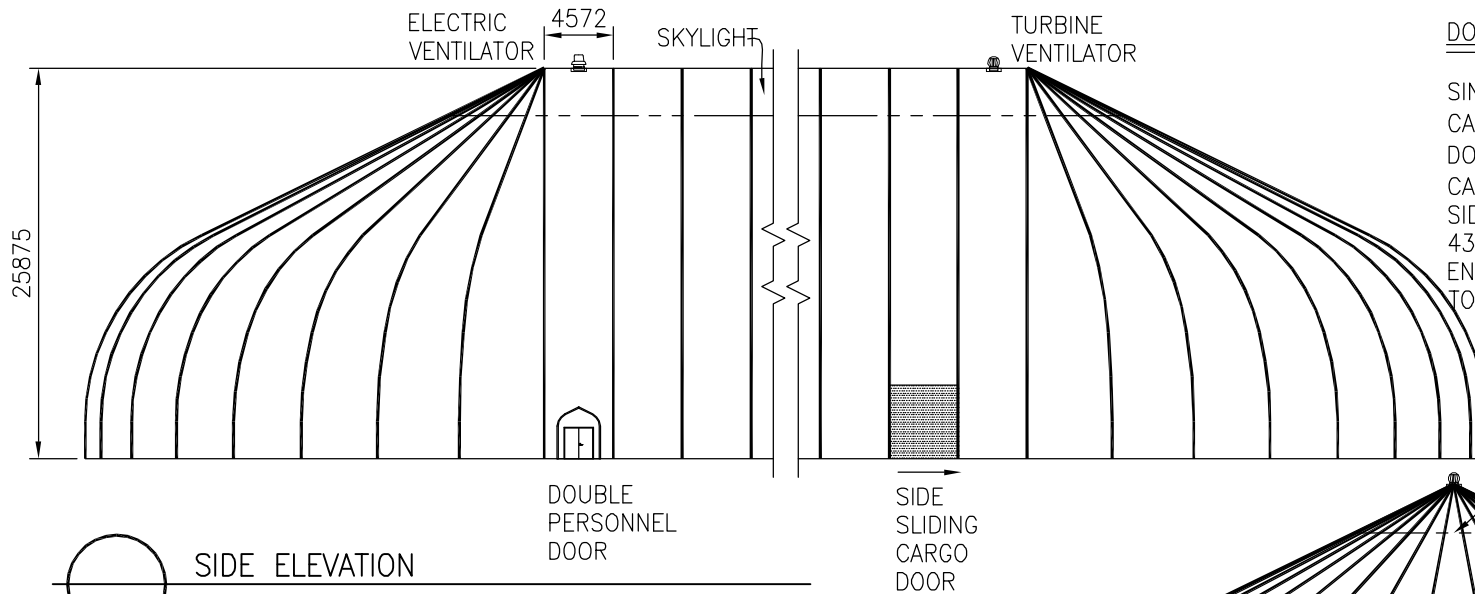
PLAN VIEW
1:500



CLASSIC SERIES
61.0m WIDE
STRUCTURE

DATE	SCALE
11/16/2005	AS NOTED

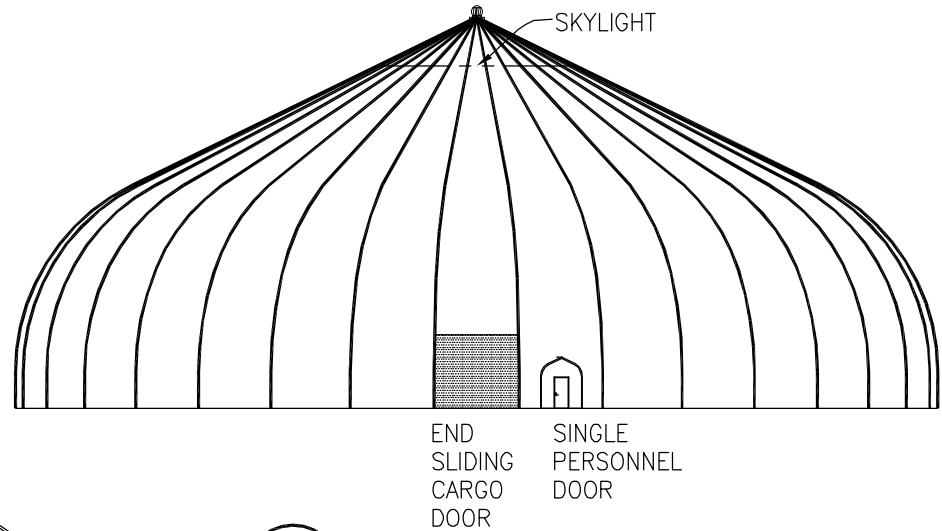
DRAWING #
C-190A METRIC



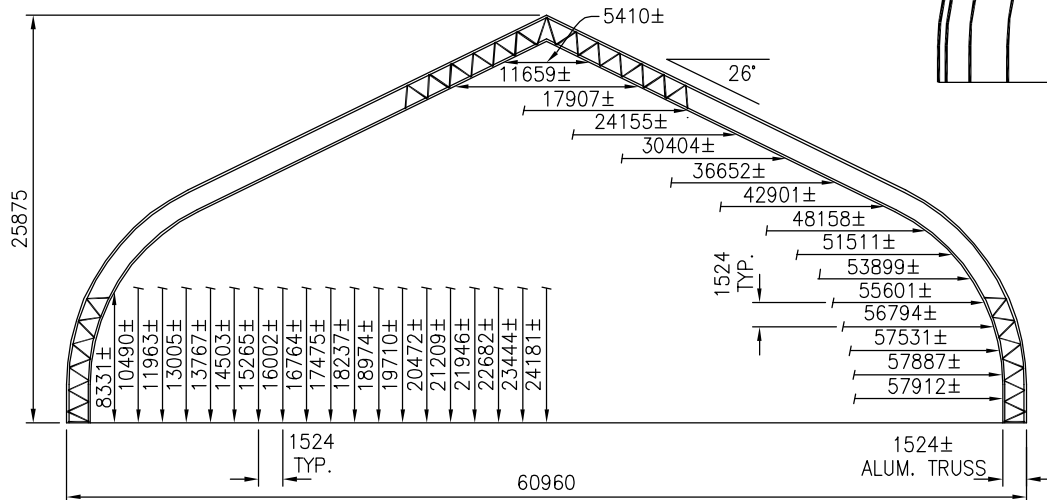
DOOR SIZES:

SINGLE PERSONNEL DOOR (C/W 2870 CANOPY)= 2134h x 914w
 DOUBLE PERSONNEL DOOR (C/W 2870 CANOPY)= 2134h x 1829w
 SIDE SLIDING CARGO DOOR = 4877h 4369±w
 END SLIDING CARGO DOOR = HEIGHT 4877 TOP WIDTH 5359±

○ SIDE ELEVATION
1:500



○ END ELEVATION
1:500



○ SECTION 61.0m STRUCTURE (CLEARANCES)
1:400



CLASSIC SERIES
61.0m WIDE
STRUCTURE

DATE	SCALE
11/16/2005	AS NOTED

DRAWING #
C-200B METRIC