

PLAN VIEW
1:500



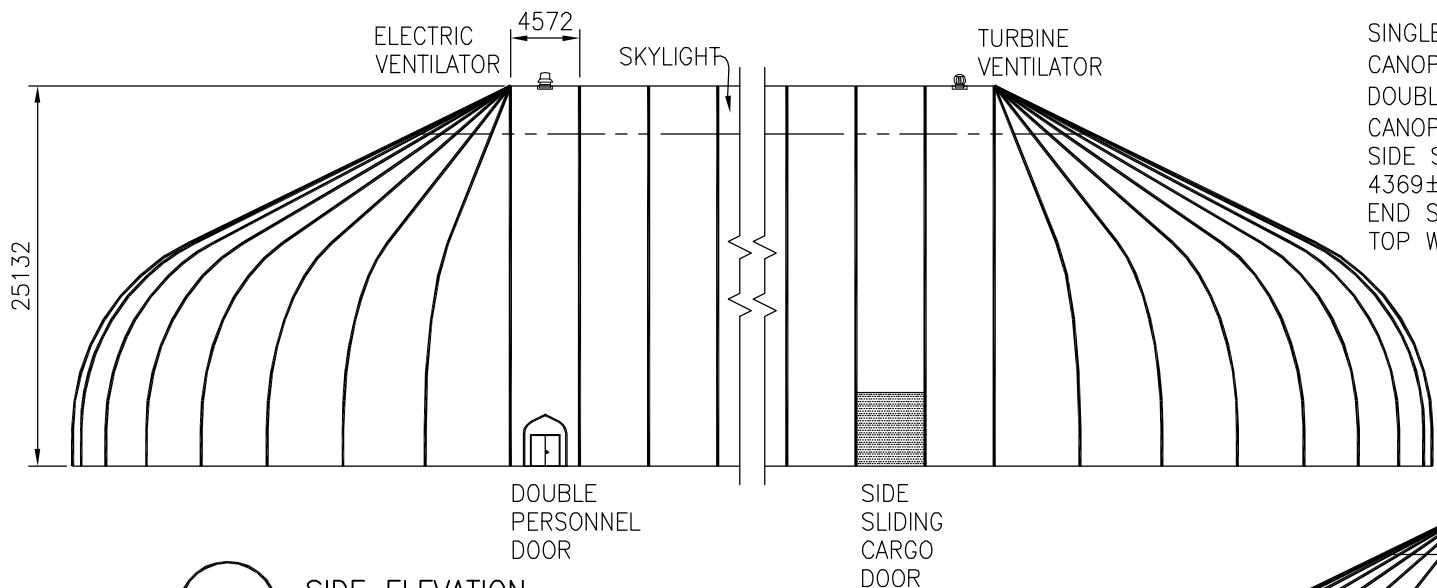
CLASSIC SERIES
57.9m WIDE
STRUCTURE

DATE	SCALE
11/16/2005	AS NOTED

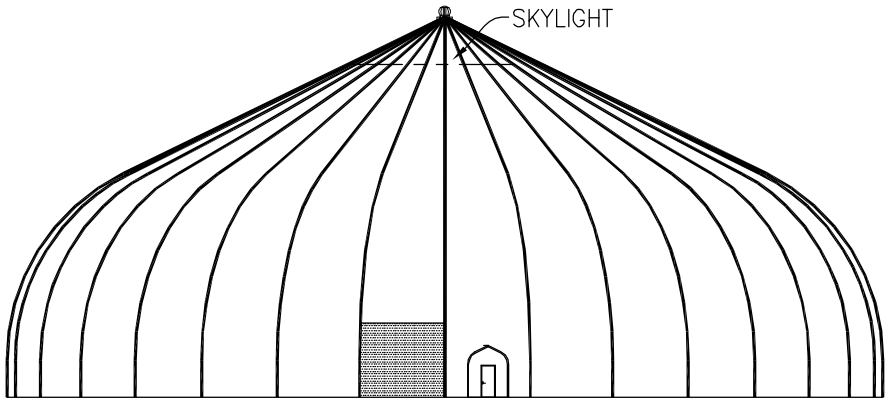
DRAWING #	C-190A METRIC
-----------	---------------

DOOR SIZES:

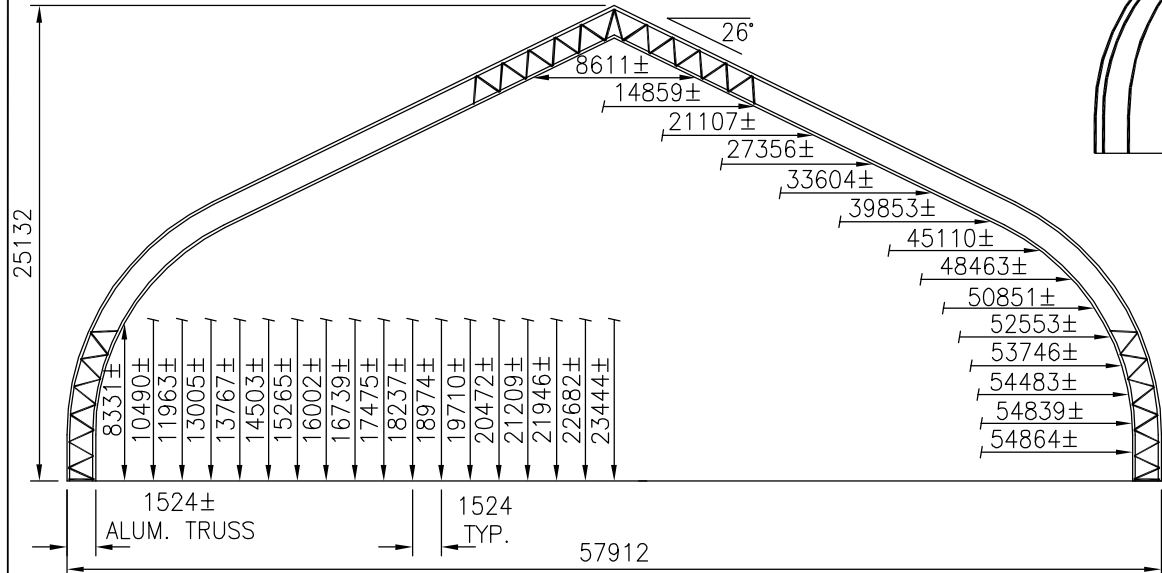
- SINGLE PERSONNEL DOOR (C/W 2870 CANOPY)= 2134h x 914w
- DOUBLE PERSONNEL DOOR (C/W 2870 CANOPY)= 2134h x 1829w
- SIDE SLIDING CARGO DOOR = 4877h 4369±w
- END SLIDING CARGO DOOR = HEIGHT 4877 TOP WIDTH 5334±



○ SIDE ELEVATION
1:500



○ END ELEVATION
1:500



○ SECTION 57.9m STRUCTURE (CLEARANCES)
1:400



CLASSIC SERIES 57.9m WIDE STRUCTURE	
DATE 11/16/2005	SCALE AS NOTED
DRAWING # C-190B METRIC	