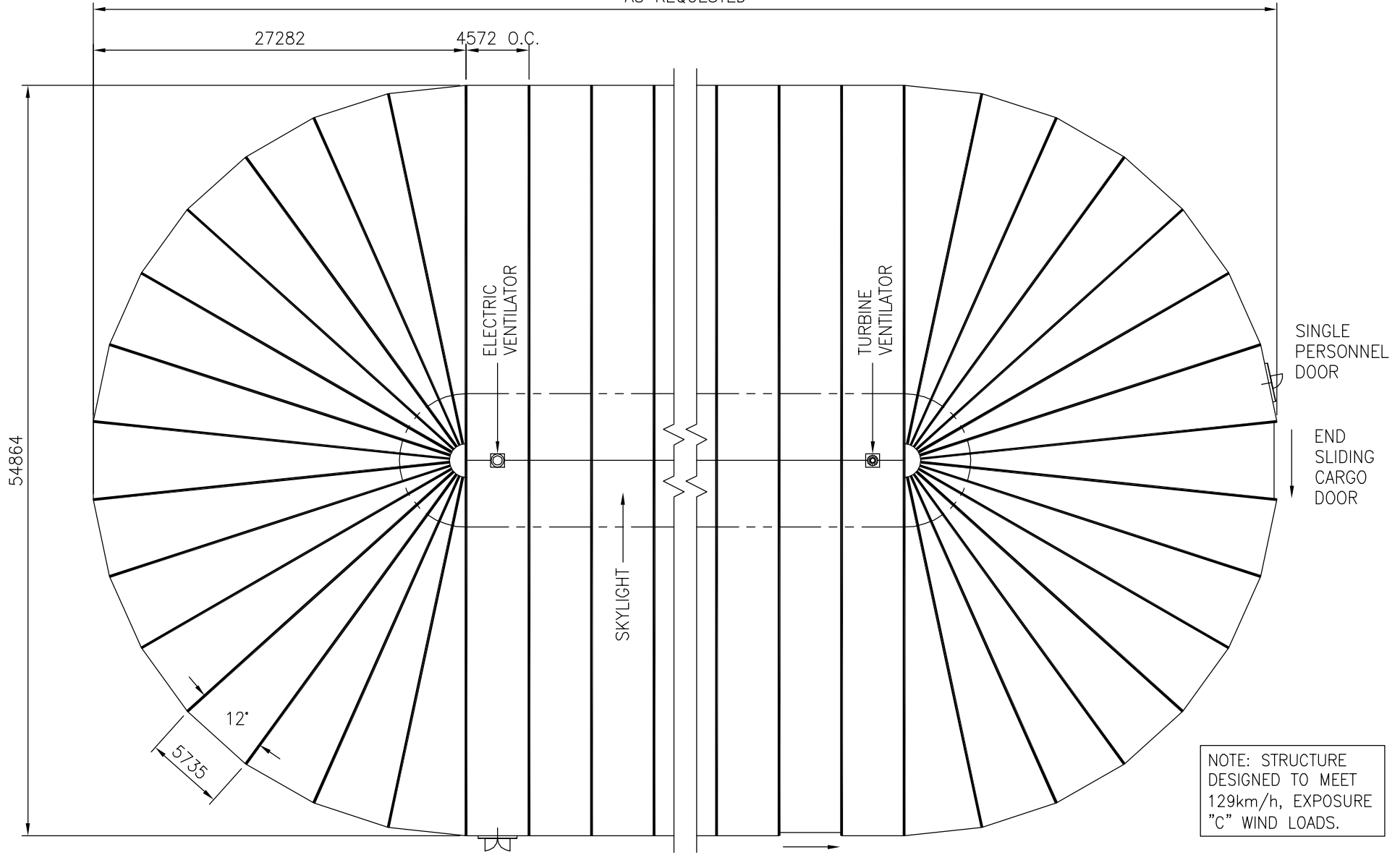


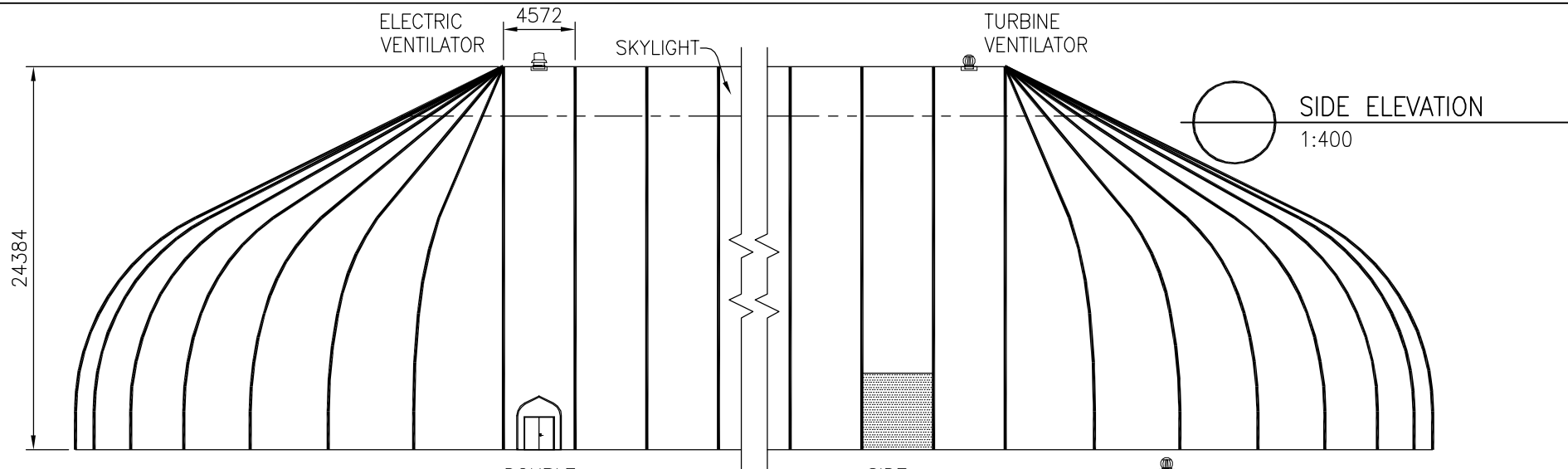
AS REQUESTED



○ PLAN VIEW
1:400



CLASSIC SERIES 54.9m WIDE STRUCTURE	
DATE 11/16/2005	SCALE AS NOTED
DRAWING # C-180A METRIC	



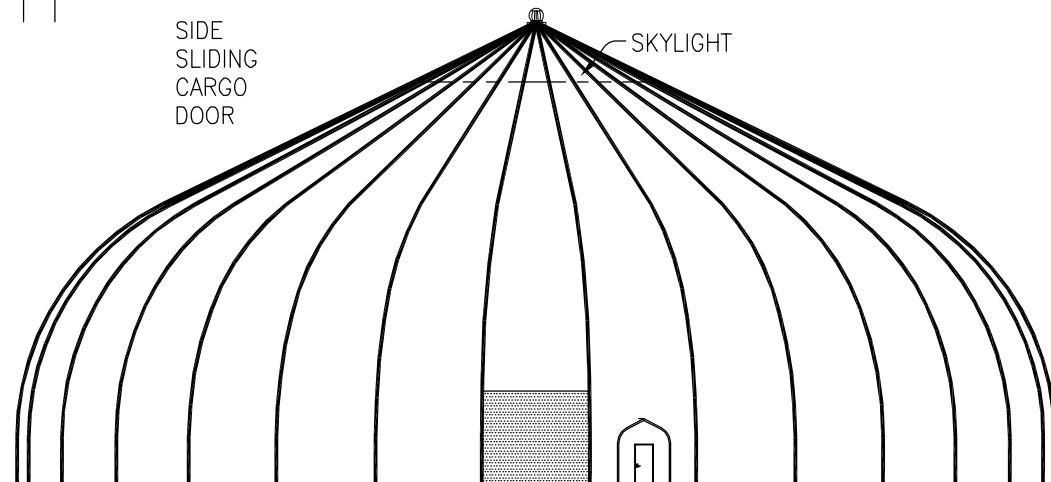
○ SIDE ELEVATION
1:400

DOOR SIZES:

SINGLE PERSONNEL DOOR (C/W 2870 CANOPY)= 2134h x 914w
 DOUBLE PERSONNEL DOOR (C/W 2870 CANOPY)= 2134h x 1829w
 SIDE SLIDING CARGO DOOR = 4877h 4369±w
 END SLIDING CARGO DOOR = HEIGHT 4877 TOP WIDTH 5359±

DOUBLE PERSONNEL DOOR

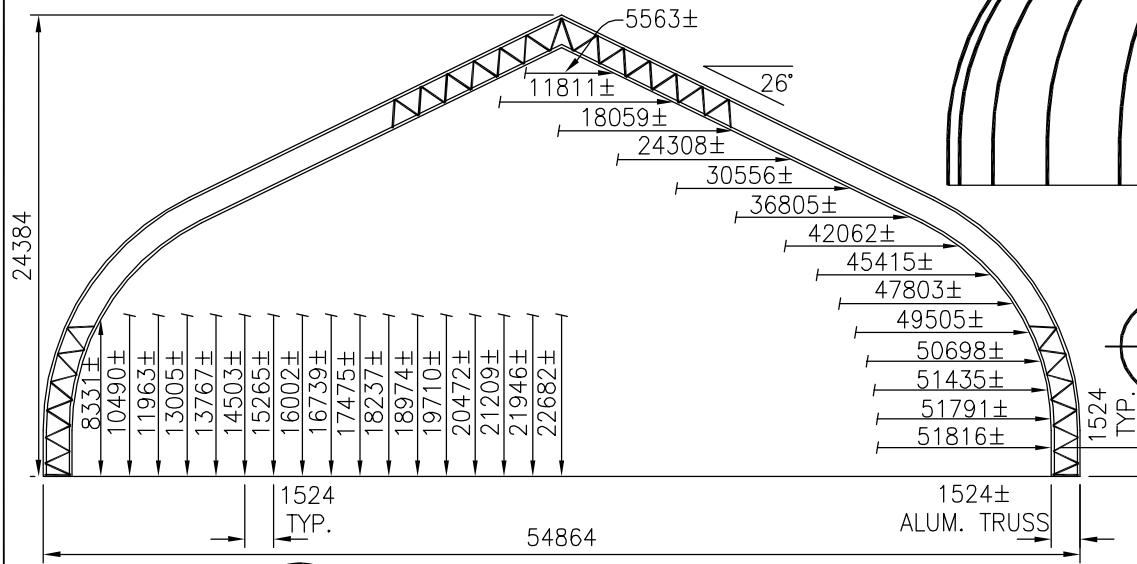
SIDE SLIDING CARGO DOOR



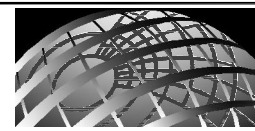
END SLIDING CARGO DOOR

SINGLE PERSONNEL DOOR

○ END ELEVATION
1:400



○ SECTION 54.9m STRUCTURE (CLEARANCES)
1:400



Sprung

CLASSIC SERIES
54.9m WIDE
STRUCTURE

DATE 11/16/2005	SCALE AS NOTED
--------------------	-------------------

DRAWING #
C-180B METRIC