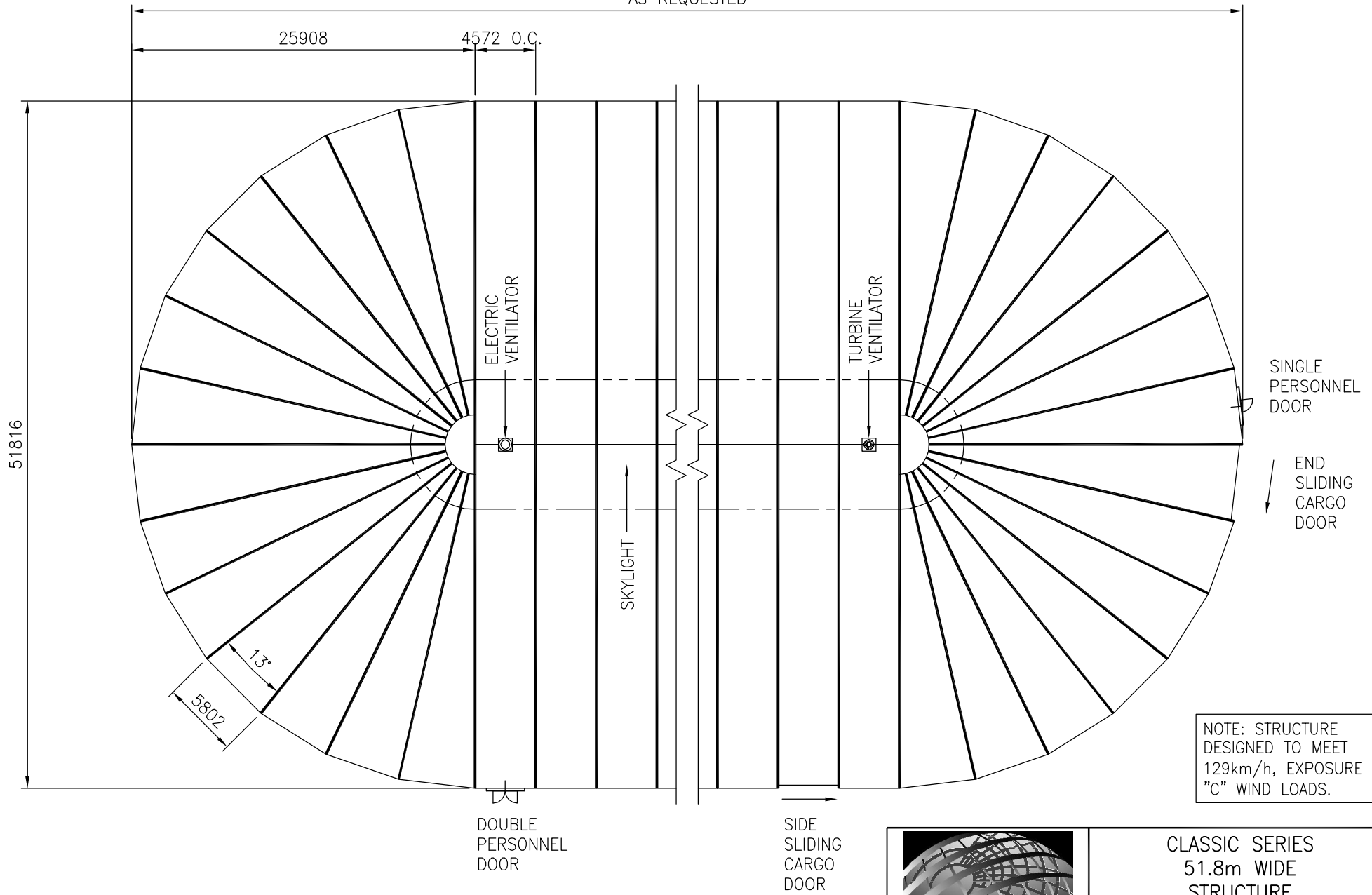


AS REQUESTED




 PLAN VIEW
 1:400



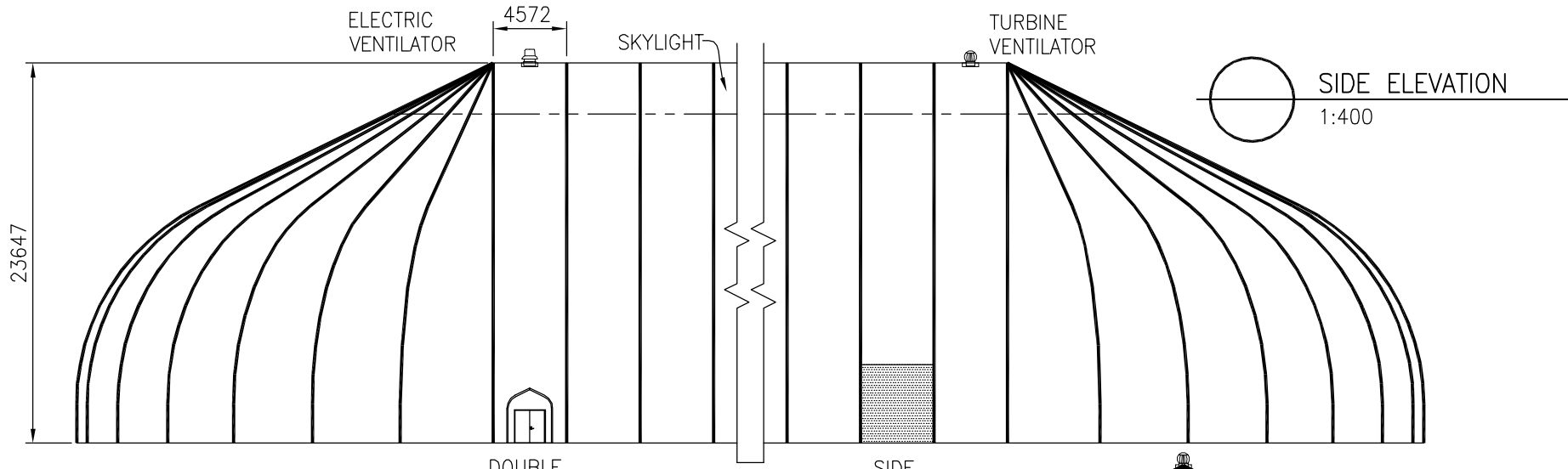
CLASSIC SERIES
51.8m WIDE
STRUCTURE

DATE
11/16/2005

SCALE
AS NOTED

DRAWING #

C-170A METRIC



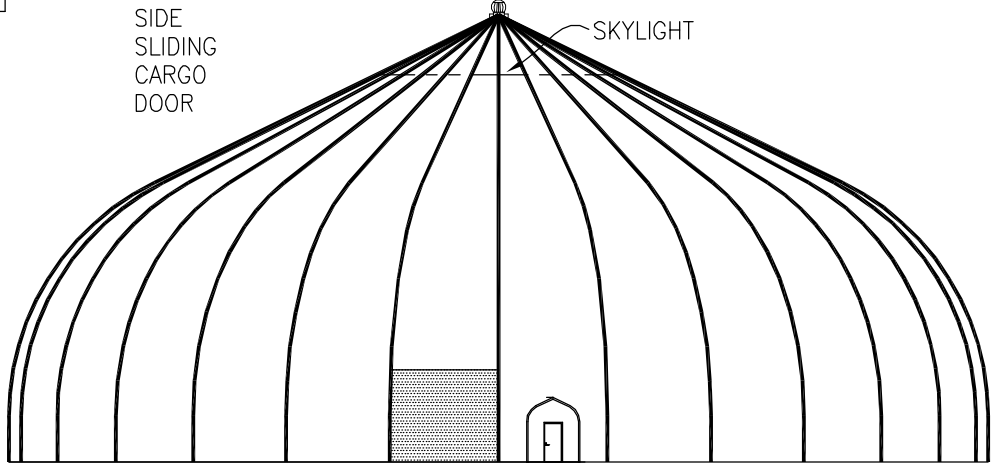
○ SIDE ELEVATION
1:400

DOOR SIZES:

SINGLE PERSONNEL DOOR (C/W 2870 CANOPY)= 2134h x 914w
 DOUBLE PERSONNEL DOOR (C/W 2870 CANOPY)= 2134h x 1829w
 SIDE SLIDING CARGO DOOR = 4877h 4369±w
 END SLIDING CARGO DOOR = HEIGHT 4877 TOP WIDTH 5325±

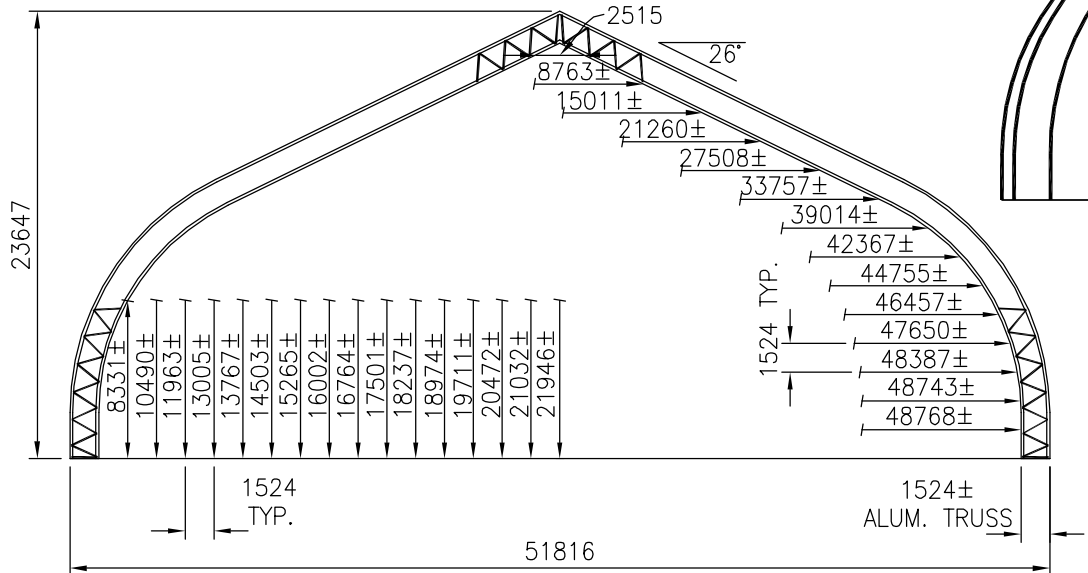
DOUBLE PERSONNEL DOOR

SIDE SLIDING CARGO DOOR

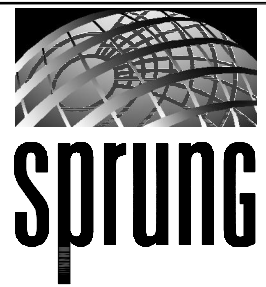


END SLIDING CARGO DOOR
SINGLE PERSONNEL DOOR

○ END ELEVATION
1:400



○ SECTION 51.8m STRUCTURE (CLEARANCES)
1:400



CLASSIC SERIES 51.8m WIDE STRUCTURE	
DATE 11/16/2005	SCALE AS NOTED
DRAWING # C-170B METRIC	