

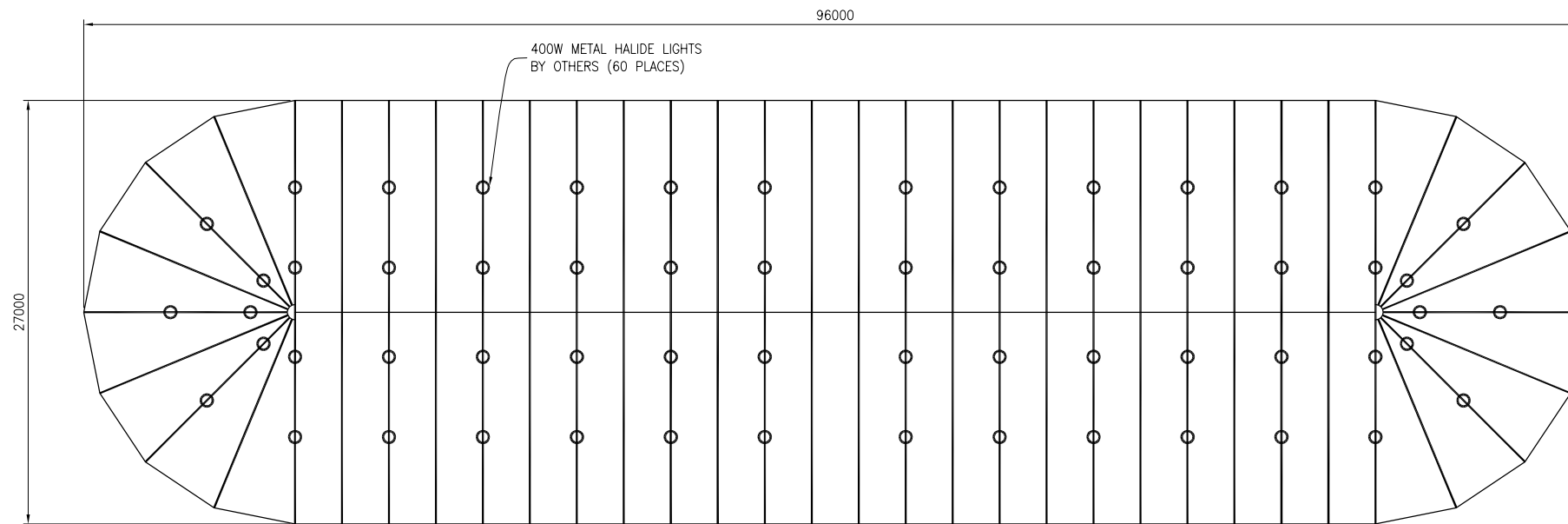


**SPRUNG
INSTANT STRUCTURES**

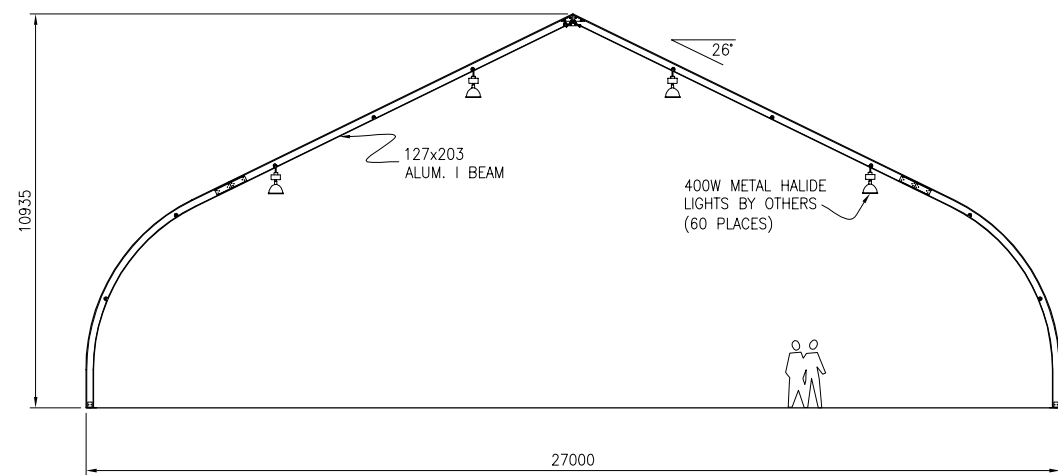
Manufacturers of Engineered Relocatable Structures

TOLL FREE: 1-800-528-9899

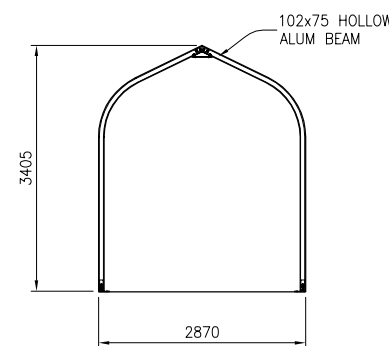
OR (403) 245-3371 www.sprung.com



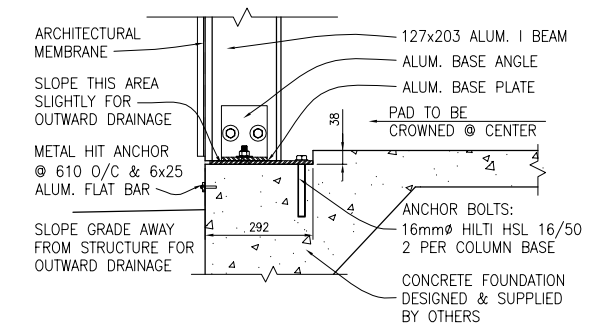
○ LIGHT FIXTURE LAYOUT
1:200



○ SECTION 27.0m STRUCTURE
1:100



○ SECTION 2.9m HOOD
1:50



○ 127x203 BEAM CONCRETE ANCHORAGE
1:10

REV. DATE DESCRIPTION
This drawing is protected by copyright in the United States of America, Canada and all other countries of the world. It, and all of the designs, technical data and engineering services represented by it, and originated or rendered by SPRUNG INSTANT STRUCTURES INC. are the exclusive property of SPRUNG INSTANT STRUCTURES INC. and must neither be used in manufacturing nor disclosed nor reproduced in whole or in part except with the prior written consent of SPRUNG INSTANT STRUCTURES INC. Any copying of this drawing in whole or in part and any use of it to construct the subject matter illustrated in it without prior written permission of SPRUNG INSTANT STRUCTURES INC. is prohibited.

YUKSEL

27.0m x 96.0m
LIGHTING & SECTION

DRAWN	P. BOS	DATE	10/14/2003
CHECKED		APP'D	
SCALE	AS NOTED	DRAWING #	
CUST.APP'L			P03458.1